

ZX130-5

72 kW (97 hp)



Engine			
Engine		ZX130-5	
Manufacturer and Model		Isuzu 4JJI	
Non-Road Emissions Standards		Certified to IT4 / Stage IIIB emissions	
Net Rated Power (ISO 9249)		72 kW (97 hp) @ 2,000 rpm	
Cylinders		4	
Displacement		3.0L (182 cu in.)	
Off Level Capacity		70% (35 deg.)	
Aspiration		Turbocharged, air-to-air charge-air cooler	
Cooling			
Direct-driven, high-efficiency, low-noise, suction-type fan			
Powertrain			
2-speed propel with automatic shift			
Maximum Travel Speed			
Low		3.3 km/h (2.1 mph)	
High		5.5 km/h (3.4 mph)	
Drawbar Pull		11 217 kg (24,729 lb.)	
Hydraulics			
Open center, load sensing			
Main Pumps		2 variable-displacement axial-piston pumps	
Maximum Rated Flow		105 L/m (28 gpm) x 2	
Pilot Pump		One gear	
Maximum Rated Flow		32.9 L/m (8.7 gpm)	
Pressure Setting		3930 kPa (570 psi)	
System Operating Pressure			
Circuits			
Implement		34 336 kPa (4,980 psi)	
Travel		34 336 kPa (4,980 psi)	
Swing		32 300 kPa (4,685 psi)	
Power Boost		36 300 kPa (5,265 psi)	
Controls		Pilot levers, short stroke, low-effort hydraulic pilot controls with shutoff lever	
Cylinders			
	Bore	Rod Diameter	Stroke
Boom (2)	105 mm (4.13 in.)	70 mm (2.76 in.)	940 mm (37 in.)
Arm (1)	115 mm (4.53 in.)	80 mm (3.15 in.)	1135 mm (44.7 in.)
Bucket (1)	100 mm (3.94 in.)	70 mm (2.76 in.)	874 mm (34.4 in.)
Electrical			
Number of Batteries (12 volt)		2	
Battery Capacity		1,400 CCA	
Alternator Rating		50 amp	
Work Lights		2 halogen (one mounted on boom, one on frame)	
Undercarriage			
Rollers (each side)			
Carrier		1	
Track		7	
Shoes, Triple Semi-Grousers (each side)		44	
Track			
Adjustment		Hydraulic	
Guides		Front idler	
Chain		Sealed and lubricated	
Ground Pressure			
600-mm (24 in.) Triple Semi-Grouser Shoes		31 kPa (4.51 psi)	34 kPa (4.91 psi)
700-mm (28 in.) Triple Semi-Grouser Shoes		27 kPa (3.93 psi)	30 kPa (4.28 psi)
600-mm (24 in.) Rubber Crawler Pad		31 kPa (4.43 psi)	33 kPa (4.83 psi)
Swing Mechanism			
Swing Speed		13.3 rpm	
Swing Torque		34 000 Nm (25,000 lb.-ft.)	

DASH-5

Serviceability

Refill Capacities

Fuel Tank	280L (74 gal.)
Cooling System	20L (21.1 qt.)
Engine Oil with Filter	17L (18 qt.)
Hydraulic Tank	69L (18.2 gal.)
Hydraulic System	185L (48.9 gal.)
Swing Gearbox	3.2L (3.4 qt.)
Propel Gearbox (each)	4L (4.2 qt.)

Operating Weights

With full fuel tank; 79-kg (175 lb.) operator; 914-mm (36 in.), 0.50-m³ (0.65 cu. yd.), 414-kg (913 lb.) general-purpose bucket; 3.01-m (9 ft. 11 in.) arm; and 2400-kg (5,291 lb.) counterweight.

Operating Weights	Without Blade	With Blade
600-mm (24 in.) Triple Semi-Grouser Shoes	12 010 kg (26,454 lb.)	13 087 kg (28,826 lb.)
700-mm (28 in.) Triple Semi-Grouser Shoes	12 110 kg (26,674 lb.)	13 203 kg (29,081 lb.)
600-mm (24 in.) Rubber Crawler Pad	11 810 kg (26,013 lb.)	12 887 kg (28,385 lb.)

Component Weights

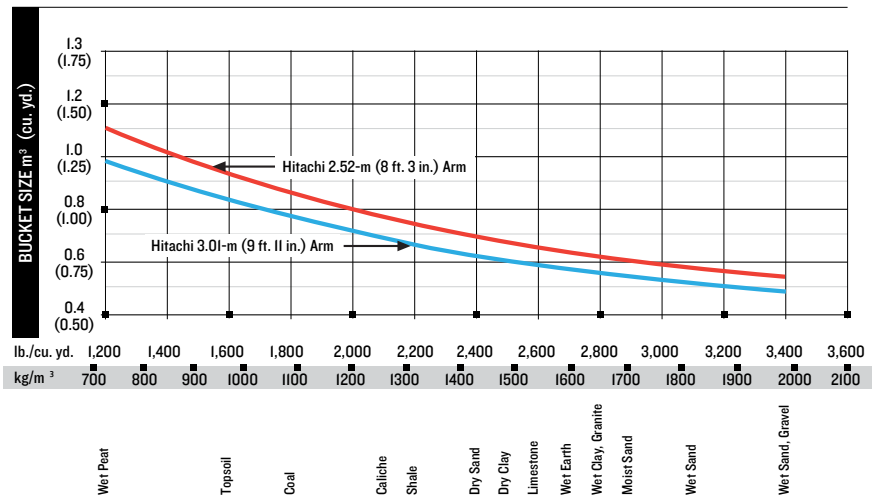
Undercarriage	Without Blade	With Blade
600-mm (24 in.) Triple Semi-Grouser Shoes	4304 kg (9,480 lb.)	5381 kg (11,852 lb.)
700-mm (28 in.) Triple Semi-Grouser Shoes	4490 kg (9,890 lb.)	5583 kg (12,297 lb.)
600-mm (24 in.) Rubber Crawler Pad	4190 kg (9,229 lb.)	5267 kg (11,601 lb.)
One-Piece Boom (with arm cylinder)	988 kg (2,176 lb.)	
Arm with Bucket Cylinder and Linkage		
2.52 m (8 ft. 3 in.)	431 kg (949 lb.)	
3.01 m (9 ft. 11 in.)	501 kg (1,104 lb.)	
Boom-Lift Cylinders (2), Total Weight	436 kg (960 lb.)	
914-mm (36 in.), 0.50-m ³ (0.65 cu. yd.) Bucket	414 kg (913 lb.)	
Counterweight, Standard	2400 kg (5,291 lb.)	

Buckets

A full line of buckets is offered to meet a wide variety of applications. Digging forces are with power boost. Buckets are equipped with ESCO teeth standard. Replaceable cutting edges and a variety of teeth are available through Hitachi parts. Optional side cutters add 150 mm (6 in.) to bucket widths. Capacities are SAE heaped ratings.

Type Bucket	Bucket Width		Bucket Capacity		Bucket Weight		Bucket Dig Force		Arm Dig Force		Arm Dig Force		Bucket Tip Radius		Number of Teeth
	mm	in.	m ³	cu. yd.	kg	lb.	kN	lb.	kN	lb.	kN	lb.	mm	in.	
Heavy Duty Plate Lip	610	24	0.37	0.48	460	1,014	84.6	19,015	65.0	14,611	58.6	13,167	1328	52.27	4
Heavy Duty Plate Lip	760	30	0.50	0.65	522	1,150	84.6	19,015	65.0	14,611	58.6	13,167	1328	52.27	4
Heavy Duty Plate Lip	915	36	0.62	0.81	589	1,297	84.6	19,015	65.0	14,611	58.6	13,167	1328	52.27	5
Heavy Duty Plate Lip	1065	42	0.76	0.99	631	1,390	84.6	19,015	65.0	14,611	58.6	13,167	1328	52.27	5
Ditching	1500	60	0.63	0.83	457	1,007	121.9	27,411	72.7	16,337	64.6	14,529	921	36.25	0

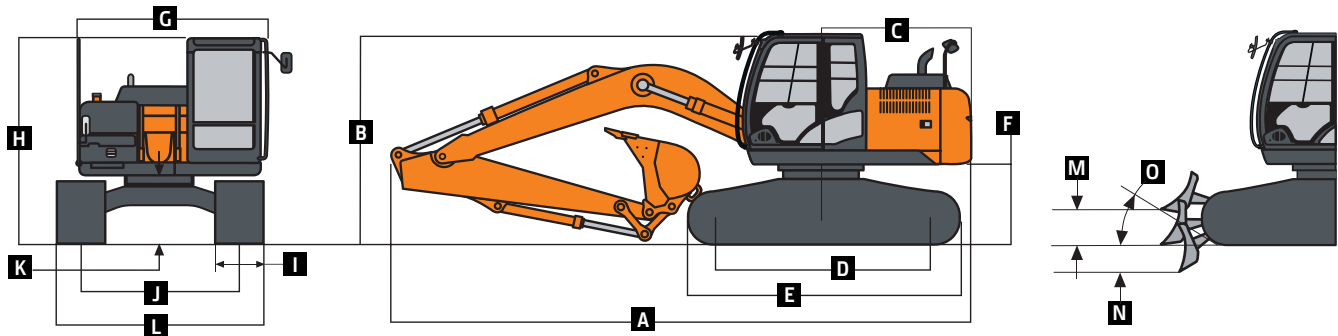
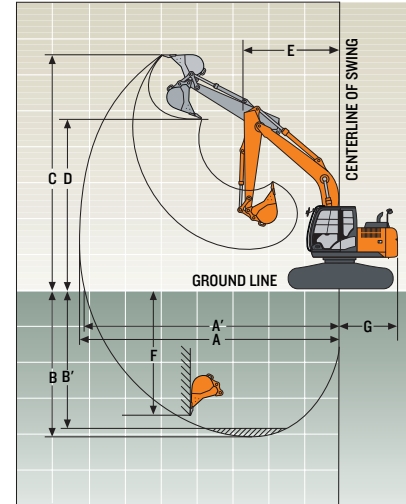
Bucket Selection Guide*



*Contact your Hitachi dealer for optimum bucket and attachment selections. These recommendations are for general conditions and average use. Does not include optional equipment such as thumbs or couplers. Larger buckets may be possible when using light materials, for flat and level operations, less compacted materials, and volume loading applications such as mass-excavation applications in ideal conditions. Smaller buckets are recommended for adverse conditions such as off-level applications, rocks, and uneven surfaces. Bucket capacity indicated is SAE heaped.

Operating Dimensions

Arm Length	2.52 m (8 ft. 3 in.)	3.01 m (9 ft. 11 in.)
Arm Digging Force		
SAE	67 kN (14,991 lb.)	60 kN (13,470 lb.)
ISO	69 kN (15,476 lb.)	62 kN (13,845 lb.)
Bucket Digging Force		
SAE	91 kN (20,525 lb.)	91 kN (20,525 lb.)
ISO	104 kN (23,435 lb.)	104 kN (23,435 lb.)
A Maximum Reach	8.32 m (27 ft. 4 in.)	8.79 m (28 ft. 10 in.)
A' Maximum Reach at Ground Level	8.2 m (26 ft. 11 in.)	8.67 m (28 ft. 5 in.)
B Maximum Digging Depth	5.57 m (18 ft. 3 in.)	6.06 m (19 ft. 11 in.)
B' Maximum Digging Depth at 2.44-m (8 ft.) Flat Bottom	5.35 m (17 ft. 7 in.)	5.88 m (19 ft. 3 in.)
C Maximum Cutting Height	8.6 m (28 ft. 3 in.)	8.93 m (29 ft. 4 in.)
D Maximum Dumping Height	6.19 m (20 ft. 4 in.)	6.52 m (21 ft. 5 in.)
E Minimum Swing Radius	2.4 m (7 ft. 10 in.)	2.62 m (8 ft. 7 in.)
F Maximum Vertical Wall	5.02 m (16 ft. 6 in.)	5.5 m (18 ft. 1 in.)
G Tail-Swing Radius	2.19 m (7 ft. 2 in.)	2.19 m (7 ft. 2 in.)



Machine Dimensions

Machine Dimensions	ZX130-5
A Overall Length w/ Arm	
2.52 m (8 ft. 3 in.)	7.70 m (25 ft. 3 in.)
3.01 m (9 ft. 11 in.)	7.71 m (25 ft. 4 in.)
B Overall Height w/ Arm	
2.52 m (8 ft. 3 in.)	2.87 m (9 ft. 5 in.)
3.01 m (9 ft. 11 in.)	2.87 m (9 ft. 5 in.)
C Rear-End Length/Swing Radius	2.19 m (7 ft. 2 in.)
D Distance Between Idler/Sprocket Centerline	2.88 m (9 ft. 5 in.)
E Undercarriage Length	3.58 m (11 ft. 9 in.)
F Counterweight Clearance	840 mm (33 in.)
G Upperstructure Width	2.46 m (8 ft. 1 in.)
H Cab Height	2.79 m (9 ft. 2 in.)
I Track Width w/ Triple Semi-Grouser Shoes	600 mm (24 in.) 700 mm (28 in.)

Machine Dimensions

Machine Dimensions	ZX130-5
J Gauge Width	1.99 m (6 ft. 6 in.)
K Ground Clearance	410 mm (16 in.)
L Overall Width w/ Triple Semi-Grouser Shoes	
600 mm (24 in.)	2.59 m (8 ft. 6 in.)
700 mm (28 in.)	2.69 m (8 ft. 10 in.)
M Blade Lift Height	523 mm (21 in.)
N Blade Cut Below Grade	488 mm (19 in.)
O Blade Lift Angle	27 deg.
Blade Length	2.51 m (8 ft. 3 in.)
Blade Height	523 mm (21 in.)
Blade Width w/ Triple Semi-Grouser Shoes	
600 mm (24 in.)	2590 mm (8 ft. 6 in.)
700 mm (28 in.)	2690 mm (8 ft. 10 in.)

DASH-5

Lift Capacities

Boldface type indicates hydraulically limited capacity; lightface type indicates stability-limited capacities, in kg (lb.). Ratings at bucket lift hook; machine equipped with 414-kg (913 lb.) bucket, standard counterweight, and standard gauge; and situated on firm, level, uniform supporting surface. Total load includes weight of cables, hook, etc. Figures do not exceed 87 percent of hydraulic capacities or 75 percent of weight needed to tip machine. All lift capacities are based on ISO 10567 (with power boost).

Load Point Height	1.5 m (5 ft.)		3.0 m (10 ft.)		4.5 m (15 ft.)		6.0 m (20 ft.)		7.5 m (25 ft.)	
Horizontal Distance from Centerline of Rotation	Over Front	Over Side	Over Front	Over Side	Over Front	Over Side	Over Front	Over Side	Over Front	Over Side
With 2.52-m (8 ft. 3 in.) arm and 600-mm (24 in.) triple semi-grouser shoes, without blade										
4.5 m (15 ft.)					3250 (7,050)	3250 (7,050)	2950 (6,000)	1950 (4,150)		
3.0 m (10 ft.)			5550 (11,900)	5550 (11,900)	4050 (8,700)	3100 (6,700)	2850 (6,150)	1900 (4,050)		
1.5 m (5 ft.)			7750 (17,700)	5400 (11,700)	4450 (9,550)	2900 (6,200)	2750 (5,950)	1800 (3,850)		
Ground Line			6150 (14,350)	5150 (11,000)	4250 (9,150)	2700 (5,850)	2700 (5,750)	1700 (3,700)		
-1.5 m (-5 ft.)	4300 (9,650)	4300 (9,650)	8700 (18,650)	5100 (10,950)	4200 (9,000)	2650 (5,700)	2650 (5,700)	1700 (3,650)		
-3.0 m (-10 ft.)	8200 (18,550)	8200 (18,550)	7550 (16,250)	5200 (11,150)	4250 (9,100)	2700 (5,800)				
With 2.52-m (8 ft. 3 in.) arm and 600-mm (24 in.) triple semi-grouser shoes, blade on ground										
4.5 m (15 ft.)					3250 (7,050)	3250 (7,050)	3000 (6,000)	2150 (4,550)		
3.0 m (10 ft.)			5550 (11,900)	5550 (11,900)	4050 (8,700)	3350 (7,250)	3450 (7,500)	2050 (4,450)		
1.5 m (5 ft.)			7750 (17,700)	5900 (12,700)	5000 (10,850)	3150 (6,750)	3850 (8,300)	2000 (4,250)		
Ground Line			6150 (14,350)	5600 (12,000)	5700 (12,300)	2950 (6,400)	4150 (8,950)	1900 (4,100)		
-1.5 m (-5 ft.)	4300 (9,650)	4300 (9,650)	8850 (19,150)	5550 (11,950)	5750 (12,450)	2900 (6,250)	4050 (8,750)	1850 (4,050)		
-3.0 m (-10 ft.)	8200 (18,550)	8200 (18,550)	7550 (16,250)	5650 (12,150)	5000 (10,700)	2950 (6,350)				
With 2.52-m (8 ft. 3 in.) arm and 700-mm (28 in.) triple semi-grouser shoes, without blade										
4.5 m (15 ft.)					3250 (7,050)	3250 (7,050)	3000 (6,000)	2000 (4,250)		
3.0 m (10 ft.)			5550 (11,900)	5550 (11,900)	4050 (8,700)	3150 (6,800)	2900 (6,250)	1900 (4,100)		
1.5 m (5 ft.)			7750 (17,700)	5500 (11,850)	4500 (9,700)	2900 (6,300)	2800 (6,050)	1850 (3,950)		
Ground Line			6150 (14,350)	5200 (11,200)	4350 (9,300)	2750 (5,950)	2750 (5,850)	1750 (3,750)		
-1.5 m (-5 ft.)	4300 (9,650)	4300 (9,650)	8850 (18,900)	5200 (11,100)	4250 (9,150)	2700 (5,800)	2700 (5,800)	1700 (3,700)		
-3.0 m (-10 ft.)	8200 (18,550)	8200 (18,550)	7550 (16,250)	5300 (11,350)	4300 (9,250)	2750 (5,900)				
With 2.52-m (8 ft. 3 in.) arm and 700-mm (28 in.) triple semi-grouser shoes, blade on ground										
4.5 m (15 ft.)					3250 (7,050)	3250 (7,050)	3000 (6,000)	2150 (4,650)		
3.0 m (10 ft.)			5550 (11,900)	5550 (11,900)	4050 (8,700)	3400 (7,350)	3450 (7,500)	2100 (4,500)		
1.5 m (5 ft.)			7750 (17,700)	5950 (12,850)	5000 (10,850)	3200 (6,850)	3850 (8,300)	2000 (4,300)		
Ground Line			6150 (14,350)	5650 (12,200)	5700 (12,300)	3000 (6,500)	4150 (8,950)	1950 (4,150)		
-1.5 m (-5 ft.)	4300 (9,650)	4300 (9,650)	8850 (19,150)	5650 (12,100)	5750 (12,450)	2950 (6,350)	4050 (8,750)	1900 (4,100)		
-3.0 m (-10 ft.)	8200 (18,550)	8200 (18,550)	7550 (16,250)	5750 (12,300)	5000 (10,700)	3000 (6,450)				
With 3.01-m (9 ft. 11 in.) arm and 600-mm (24 in.) triple semi-grouser shoes, without blade										
4.5 m (15 ft.)					2750 (6,000)	2750 (6,000)	2800 (6,200)	2000 (4,250)		
3.0 m (10 ft.)			4550 (9,600)	4550 (9,600)	3550 (7,750)	3150 (6,800)	2900 (6,200)	1900 (4,100)		
1.5 m (5 ft.)			7750 (15,850)	5550 (12,000)	4550 (9,650)	2900 (6,250)	3550 (5,950)	1800 (3,850)	2900	1200
Ground Line			6750 (15,750)	5150 (11,000)	4250 (9,150)	2700 (5,800)	2650 (5,750)	1700 (3,650)		
-1.5 m (-5 ft.)	3750 (8,450)	3750 (8,450)	8550 (18,450)	5000 (10,750)	4150 (8,900)	2600 (5,600)	2600 (5,600)	1650 (3,550)		
-3.0 m (-10 ft.)	6800 (15,400)	6800 (15,400)	8100 (17,450)	5050 (10,900)	4150 (8,950)	2600 (5,600)	2650 (5,600)	1650		
-4.5 m (-15 ft.)			5750 (12,150)	5300 (11,350)	3400	2750				

Lift Capacities (continued)

Boldface type indicates hydraulically limited capacity; lightface type indicates stability-limited capacities, in kg (lb.). Ratings at bucket lift hook; machine equipped with 414-kg (913 lb.) bucket, standard counterweight, and standard gauge; and situated on firm, level, uniform supporting surface. Total load includes weight of cables, hook, etc. Figures do not exceed 87 percent of hydraulic capacities or 75 percent of weight needed to tip machine. All lift capacities are based on ISO 10567 (with power boost).

Load Point Height	1.5 m (5 ft.)		3.0 m (10 ft.)		4.5 m (15 ft.)		6.0 m (20 ft.)		7.5 m (25 ft.)	
Horizontal Distance from Centerline of Rotation	Over Front	Over Side	Over Front	Over Side	Over Front	Over Side	Over Front	Over Side	Over Front	Over Side
With 3.01-m (9 ft. 11 in.) arm and 600-mm (24 in.) triple semi-grouser shoes, blade on ground										
4.5 m (15 ft.)					2750 (6,000)	2750 (6,000)	2800 (6,200)	2150 (4,650)		
3.0 m (10 ft.)			4550 (9,600)	4550 (9,600)	3550 (7,750)	3400 (7,350)	3100 (6,800)	2100 (4,450)		
1.5 m (5 ft.)			7400 (15,850)	6050 (13,000)	4650 (10,000)	3150 (6,800)	3600 (7,800)	2000 (4,250)	1900	1300
Ground Line			6750 (15,750)	5600 (12,000)	5450 (11,800)	2950 (6,350)	4000 (8,650)	1900 (4,050)		
-1.5 m (-5 ft.)	3750 (8,450)	3750 (8,450)	8550 (19,550)	5450 (11,750)	5750 (12,400)	2850 (6,150)	4100 (8,850)	1850 (3,950)		
-3.0 m (-10 ft.)	6800 (15,400)	6800 (15,400)	8100 (17,450)	5550 (11,850)	5300 (11,400)	2850 (6,150)	3500 (7,700)	1850		
-4.5 m (-15 ft.)			5750 (12,150)	5750 (12,150)	3400	3000				
With 3.01-m (9 ft. 11 in.) arm and 700-mm (28 in.) triple semi-grouser shoes, without blade										
4.5 m (15 ft.)					2750 (6,000)	2750 (6,000)	2800 (6,200)	2000 (4,300)		
3.0 m (10 ft.)			4550 (9,600)	4550 (9,600)	3550 (7,750)	3200 (6,900)	2950 (6,300)	1950 (4,150)		
1.5 m (5 ft.)			7400 (15,850)	5650 (12,150)	4550 (9,800)	2950 (6,350)	2800 (6,050)	1850 (3,900)	1900	1200
Ground Line			6750 (15,750)	5200 (11,200)	4350 (9,300)	2750 (5,900)	2700 (5,800)	1750 (3,700)		
-1.5 m (-5 ft.)	3750 (8,450)	3750 (8,450)	8550 (18,700)	5100 (10,950)	4200 (9,050)	2650 (5,700)	2650 (5,700)	1700 (3,600)		
-3.0 m (-10 ft.)	6800 (15,400)	6800 (15,400)	8100 (17,450)	5150 (11,050)	4200 (9,100)	2650 (5,700)	2700	1700		
-4.5 m (-15 ft.)			5750 (12,150)	5350 (11,550)	3400	2800				
With 3.01-m (9 ft. 11 in.) arm and 700-mm (28 in.) triple semi-grouser shoes, blade on ground										
4.5 m (15 ft.)					2750 (6,000)	2750 (6,000)	2800 (6,200)	2200 (4,700)		
3.0 m (10 ft.)			4550 (9,600)	4550 (9,600)	3550 (7,750)	3450 (7,450)	3100 (6,800)	2100 (4,550)		
1.5 m (5 ft.)			7400 (15,850)	6100 (13,150)	4650 (10,000)	3200 (6,900)	3600 (7,800)	2000 (4,300)	1900	1350
Ground Line			6750 (15,750)	5650 (12,200)	5450 (11,800)	3000 (6,450)	4000 (8,650)	1900 (4,100)		
-1.5 m (-5 ft.)	3750 (8,450)	3750 (8,450)	8550 (19,550)	5100 (11,900)	5750 (12,400)	2900 (6,250)	4100 (8,850)	1850 (4,000)		
-3.0 m (-10 ft.)	6800 (15,400)	6800 (15,400)	8100 (17,450)	5600 (12,050)	5300 (11,400)	2900 (6,250)	3500	1900		
-4.5 m (-15 ft.)			5750 (12,150)	5750 (12,150)	3400	3050				
With 3.01-m (9 ft. 11 in.) arm and 600-mm (24 in.) rubber crawler pads, without blade										
4.5 m (15 ft.)					2750 (6,000)	2750 (6,000)	2800 (6,200)	2000 (4,300)		
3.0 m (10 ft.)			4550 (9,600)	4550 (9,600)	3550 (7,750)	3200 (6,900)	2950 (6,300)	1950 (4,150)		
1.5 m (5 ft.)			7400 (15,850)	5650 (12,200)	4550 (9,800)	2950 (6,350)	2800 (6,050)	1850 (3,900)	1900	1200
Ground Line			6750 (15,750)	5200 (11,200)	4350 (9,300)	2750 (5,900)	2700 (5,850)	1750 (3,700)		
-1.5 m (-5 ft.)	3750 (8,450)	3750 (8,450)	8550 (18,750)	5100 (10,950)	4200 (9,050)	2650 (5,700)	2650 (5,700)	1700 (3,600)		
-3.0 m (-10 ft.)	6800 (15,400)	6800 (15,400)	8100 (17,450)	5150 (11,050)	4250 (9,100)	2650 (5,700)	2700	1700		
-4.5 m (-15 ft.)			5750 (12,150)	5350 (11,550)	3400	2800				
With 3.01-m (9 ft. 11 in.) arm and 600-mm (24 in.) rubber crawler pads, blade on ground										
4.5 m (15 ft.)					2750 (6,000)	2750 (6,000)	2800 (6,200)	2200 (4,700)		
3.0 m (10 ft.)			4550 (9,600)	4550 (9,600)	3550 (7,750)	3450 (7,450)	3100 (6,800)	2100 (4,550)		
1.5 m (5 ft.)			7400 (15,850)	6100 (13,150)	4650 (10,000)	3200 (6,900)	3600 (7,800)	2000 (4,300)	1900	1350
Ground Line			6750 (15,750)	5700 (12,200)	5450 (11,800)	3000 (6,450)	4000 (8,650)	1900 (4,100)		
-1.5 m (-5 ft.)	3750 (8,450)	3750 (8,450)	8550 (19,550)	5500 (11,950)	5750 (12,400)	2900 (6,250)	4100 (8,850)	1850 (4,000)		
-3.0 m (-10 ft.)	6800 (15,400)	6800 (15,400)	8100 (17,450)	5600 (12,050)	5300 (11,400)	2900 (6,250)	3500	1900		
-4.5 m (-15 ft.)			5750 (12,150)	5750 (12,150)	3400	3050				

DASH-5

ADDITIONAL EQUIPMENT

Key: ● Standard ▲ Optional or special

Engine
● Auto-idle system
● Automatic belt-tension device
● Batteries (2 – 12 volt)
● Coolant recovery tank
● Dual-element dry-type air filter
● Electronic engine control
● Enclosed fan guard (conforms to SAE J1308)
● Engine coolant to –37 deg. C (–34 deg. F)
● Programmable auto shutdown
● Fuel filter with water separator
● Full-flow oil filter
● Turbocharger with charge air cooler
● 500-hour engine-oil-change interval
● 70% (35 deg.) off-level capability
● Engine-oil-sampling valve
● Severe-duty fuel filter
Hydraulic System
● Reduced-drift valve for boom down, arm in
● Auxiliary hydraulic valve section
● Spring-applied, hydraulically released automatic swing brake
● Auxiliary hydraulic-flow adjustments through monitor
● Auto power lift
● 5,000-hour hydraulic-oil-change interval
● Hydraulic-oil-sampling valve
▲ Auxiliary hydraulic lines
▲ Auxiliary pilot and electric controls
▲ Hydraulic filter restriction indicator kit
▲ Load-lowering control device
▲ Single-pedal propel control
▲ Control pattern change valve
Undercarriage
● Planetary drive with axial piston motors
● Propel motor shields
● Spring-applied, hydraulically released automatic propel brake
● Track guides, front idler
● 2-speed propel with automatic shift
● Upper carrier rollers (2)
● Sealed and lubricated track chain
▲ Rubber crawler pads, 600 mm (24 in.)
▲ Undercarriage with blade
▲ Triple semi-grouser shoes, 600 mm (24 in.)
▲ Triple semi-grouser shoes, 700 mm (28 in.)

Upperstructure
● Right-hand, left-hand, and counterweight mirrors
● Vandal locks with ignition key: Cab door / Service doors / Toolbox
● Debris screen
● Remote-mounted engine oil and fuel filters
Front Attachments
● Centralized lubrication system
● Dirt seals on all bucket pins
● Less boom and arm
● HN bushings
● Reinforced resin thrust plates
● Tungsten carbide thermal coating on arm-to-bucket joint
▲ Arm, 2.52 m (8 ft. 3 in.)
▲ Arm, 3.01 m (9 ft. 11 in.)
▲ Attachment quick-couplers
▲ Boom cylinder with plumbing to mainframe for less boom and arm
▲ Buckets: Ditching / Heavy duty / Heavy-duty high capacity / Side cutters and teeth
▲ Material clamps
Operator's Station
● Meets ISO 12117-2 for ROPS
● Adjustable independent-control positions (levers-to-seat, seat-to-pedals)
● AM/FM radio
● Auto climate control/air conditioner/heater/pressurizer
● Built-in Operator's Manual storage compartment and manual
● Cell-phone power outlet, 12 volt, 60 watt, 5 amp
● Coat hook
● Deluxe suspension cloth seat with 100-mm (4 in.) adjustable armrests
● Floor mat
● Front windshield wiper with intermittent speeds
● Gauges (illuminated): Engine coolant / Fuel
● Horn, electric
● Hour meter, electric
● Hydraulic shutoff lever, all controls
● Hydraulic warm-up control
● Interior light
● Large cup holder
● Machine Information Center (MIC)

Operator's Station (continued)
● Mode selectors (illuminated): Power modes (3) / Travel modes (2 with automatic shift) / Work mode (1)
● Multifunction, color LCD monitor with: Diagnostic capability / Multiple-language capabilities / Maintenance tracking / Clock / System monitoring with alarm features: Auto-idle indicator, engine air cleaner restriction indicator light, engine check, engine coolant temperature indicator light with audible alarm, engine oil pressure indicator light with audible alarm, low-alternator-charge indicator light, low-fuel indicator light, fault code alert indicator, fuel-rate display, wiper-mode indicator, work-lights-on indicator, and work-mode indicator
● Motion alarm with cancel switch (conforms to SAE J994)
● Power-boost switch on right console lever
● Auxiliary hydraulic control switches in right console lever
● SAE 2-lever control pattern
● Seat belt, 51 mm (2 in.), retractable
● Tinted glass
● Transparent tinted overhead hatch
● Hot/cold beverage compartment
▲ Air-suspension heated seat
▲ Hydraulic oil filter restriction indicator light
▲ Protection screens for cab front, rear, and side
▲ Seat belt, 76 mm (3 in.), non-retractable
▲ Window vandal-protection covers
Electrical
● 50-amp alternator
● Blade-type multi-fused circuits
● Positive-terminal battery covers
● ZLink™ wireless communication system (available in specific countries; see your dealer for details)
▲ Rearview camera
▲ Cab extension wiring harness
Lights
● Work lights: Halogen / One mounted on boom / One mounted on frame
▲ 2 lights mounted on cab / One mounted on right side of boom

See your Hitachi dealer for further information.

Net engine power is with standard equipment including air cleaner, exhaust system, alternator, and cooling fan, at test conditions specified per ISO 9249. No derating is required up to 3050-m (10,000 ft.) altitude. Specifications and design subject to change without notice. Wherever applicable, specifications are in accordance with SAE standards. Except where otherwise noted, these specifications are based on a unit with 700-mm (28 in.) triple semi-grouser shoes; full fuel tank; 79-kg (175 lb.) operator; 914-mm (36 in.), 0.50-m³ (0.65 cu. yd.), 414-kg (913 lb.) general-purpose bucket; 3.01-m (9 ft. 11 in.) arm; and 2400-kg (5,291 lb.) counterweight.

HITACHI

hitachiconstruction.com